



**Count on it.**

# Parts Catalog

## **SGR-13 Stump Grinder**

**Model No. 22602THD—Serial No. 311000834 and Up**

**Model No. 22611—Serial No. 311000156 and Up**

**Model No. 22611G—Serial No. 312000001 and Up**

**Model No. 32611—Serial No. 312000001 and Up**



# Ordering Replacement Parts

To order replacement parts, please supply the part number, the quantity, and the description of each part desired.

## Understanding Reference Numbers

Each identified part in an illustration has a reference number. The reference number for a part also appears in the parts list, along with other information about the part.

This catalog uses two special reference number formats, one to indicate parts in a service assembly and another to indicate the quantity of a given part in an illustration.

## Service Assembly Reference Numbers

Parts in service assemblies have reference numbers in the form a:b. The a represents the reference number of the entire service assembly and the b represents a sequential number unique to each part within the service assembly.

For example, a wheel assembly might be identified by reference number 6, the tire by 6:1, the valve by 6:2, and the wheel by 6:3. When you order the assembly identified by reference number 6, you receive all parts identified by reference numbers 6:1, 6:2, and 6:3. However, you may also order any part individually. Reference numbers of this type appear in illustration and in parts lists.

## Reference Numbers Indicating Quantity

In an illustration, if a reference number indicates more than one part, the reference number has the form nX y. The n represents the quantity of the part, the X is the multiplication symbol, and the y represents the reference number.

For example, in an illustration, the reference number 2X 37 means that two of the parts identified by reference number 37 are indicated.

# List of Abbreviations

**AR:** as required

**ASM:** assembly

**BBC:** blade brake control

**BHTF:** button head thread forming

**CARR:** carriage

**CCW:** counter clockwise

**CW:** clockwise

**DEG:** degrees

**DPA:** Dual Point Adjustment

**ECM:** electronic control module

**EXT:** external

**FH:** flat head

**GA:** gauge

**HD:** heavy-duty

**HF:** hex flange

**HH:** hex head

**HHF:** hex head flange

**HHFTF:** hex head flange thread forming

**HJ:** hex jam

**HLH:** hex lag head

**HOC:** height-of-cut

**HSBH:** hex socket button head

**HSFH:** hex socket flat head

**HSH:** hex socket head

**HWH:** hex washer head

**HWHTF:** hex washer head thread forming

**HYD:** hydraulic

**LH:** left hand

**LPG:** Liquid Propane Gas

**NI:** nylon insert

**NPTF:** national pipe thread fine

**PFH:** phillips flat head

**PPH:** phillips pan head

**PPHTF:** phillips pan head thread forming

**PRH:** phillips round head

**PTH:** phillips truss head

**PTO:** power-take-off

**RH:** right hand

**ROPS:** roll-over protection system

**RRB:** rear roller brush

**SFH:** slotted fillister head

**SHH:** slotted hex head

**SHWH:** slotted hex washer head

**SPH:** slotted pan head

**SQH:** square head

**SRH:** slotted round head

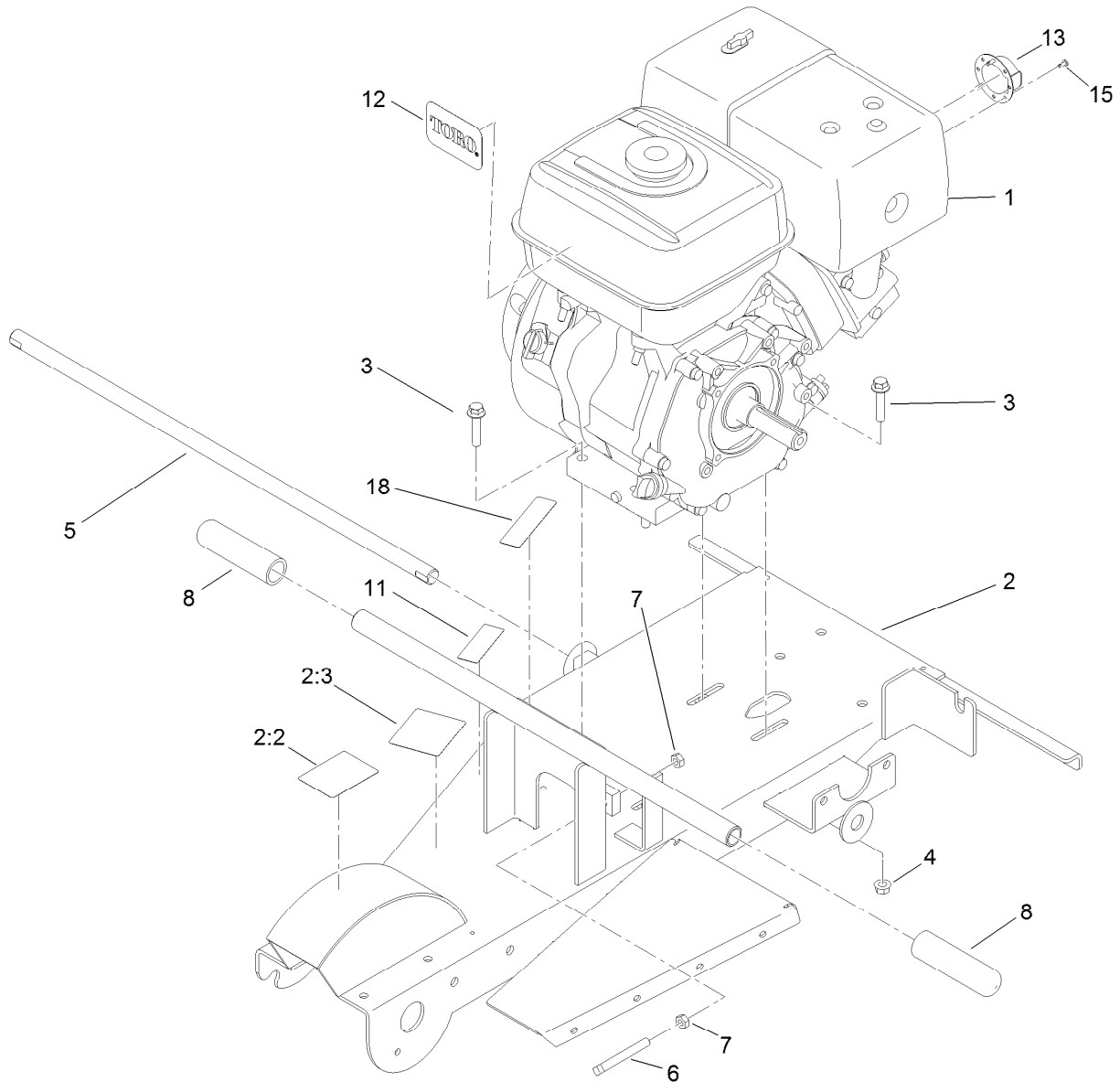
**STD:** standard

**TAP:** self tapping

**TTH:** torx truss head

# Contents

Engine and Frame Assembly .....	4
Handle Assembly .....	5
Brake Lever Assembly No. 120-1797 .....	6
Cutter Wheel Assembly .....	7
Wheel and Brake Assembly .....	8
Flap Assembly .....	9
Belt Drive Assembly .....	10
Attachments and Accessories .....	11

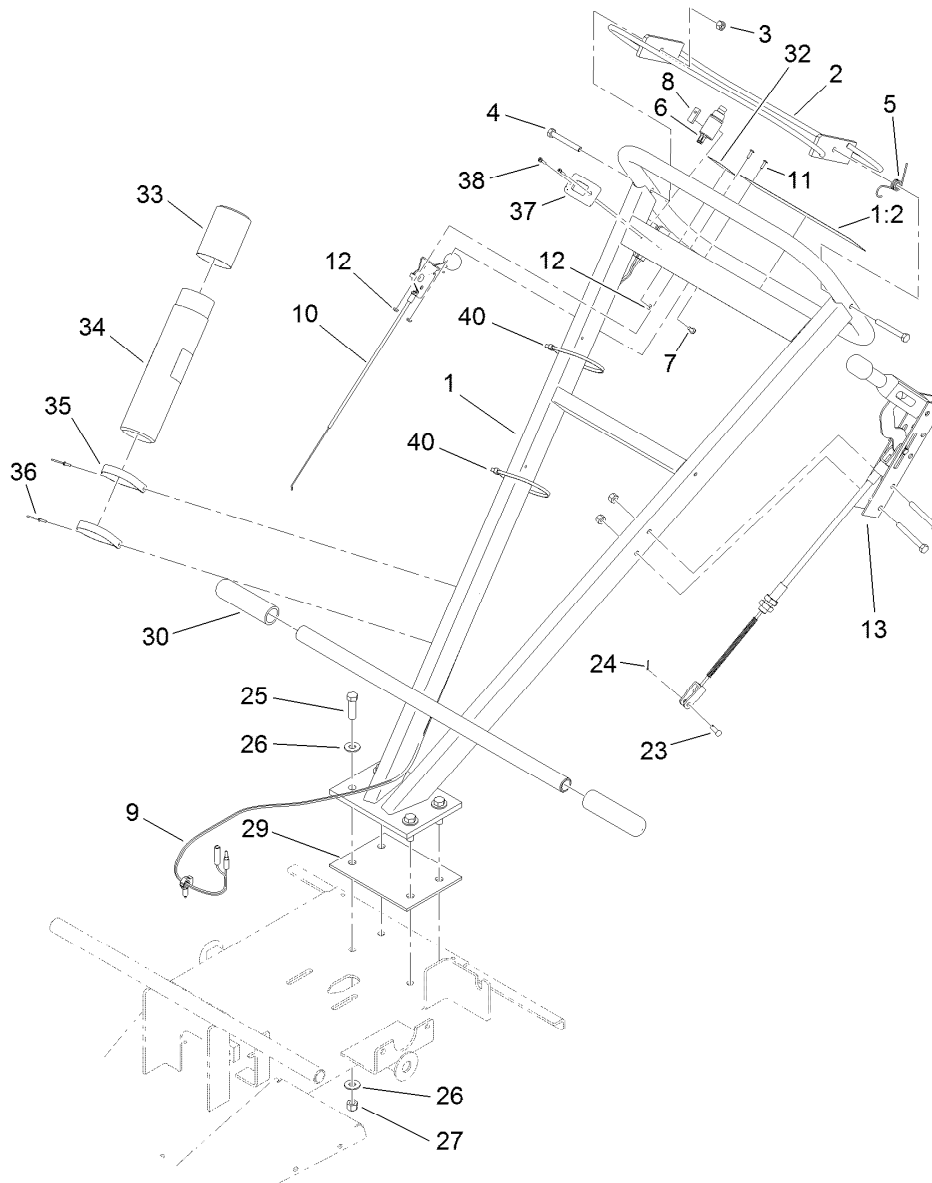


## Engine and Frame Assembly

Ref.	Part Number	Qty.	Description
1		1	Engine-Honda, Gx390Ut2 Qxc9 ●■
2	121-4390	1	Frame ASM
2:2	119-4690	1	Decal-Danger
2:3	119-4693	1	Decal-Caution
3	3234-19	4	Screw-HHF
4	32128-21	4	Nut-HF
5	120-1252	1	Bar-Axle
6	119-4729	1	Screw-Set, SQH
7	3217-7	2	Nut-Hex
8	120-1333	2	Handle-Grip
11	119-4716	1	Decal-Regulatory
12	99-2385	1	Decal
13	120-1886	1	Deflector-Exhaust
15	32144-74	3	Screw-TAP
18	117-2718	1	Decal-Arrester, Spark

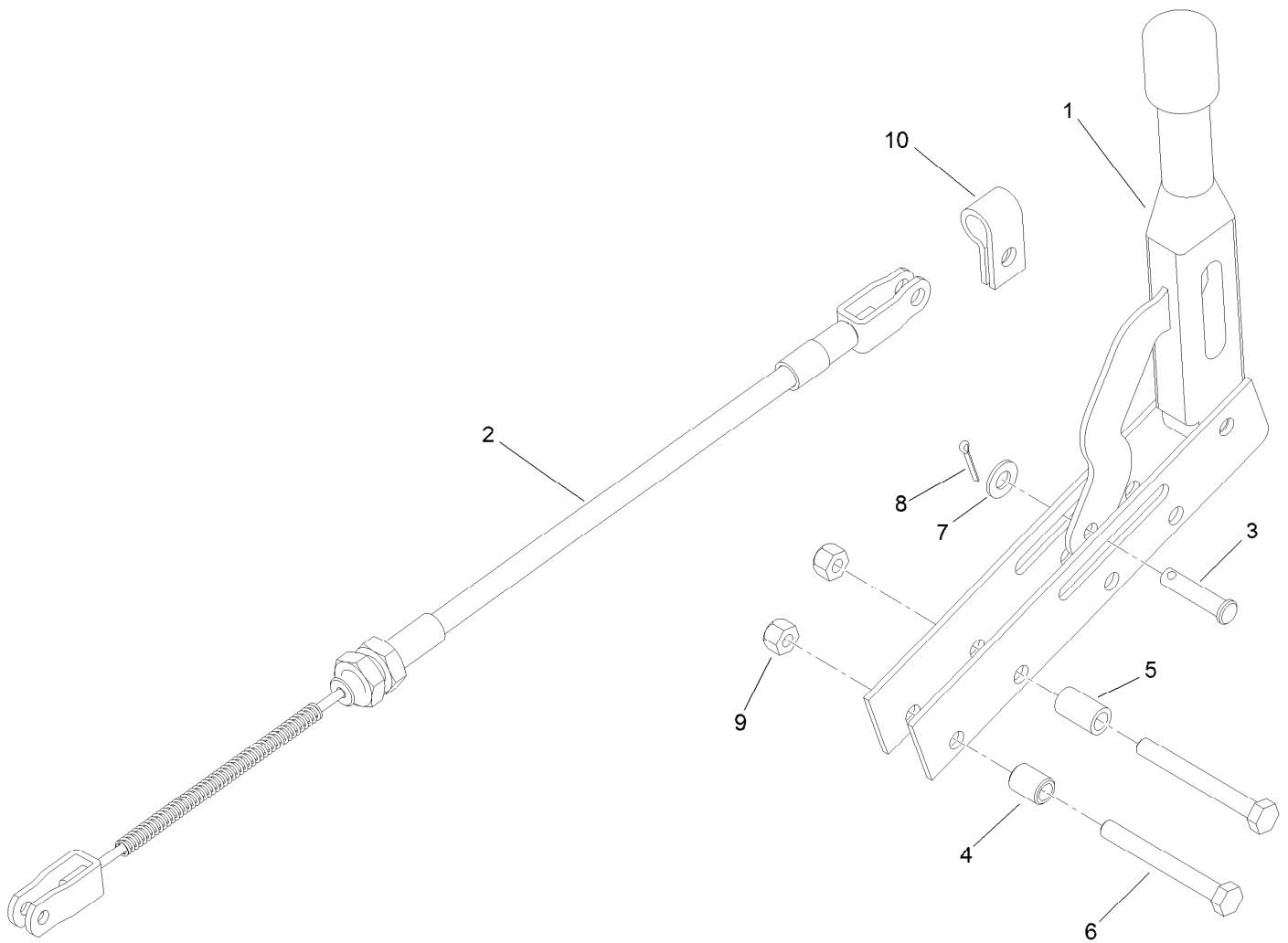
● Not serviced separately

■ Obtain parts from [www.honda-engines.com](http://www.honda-engines.com)



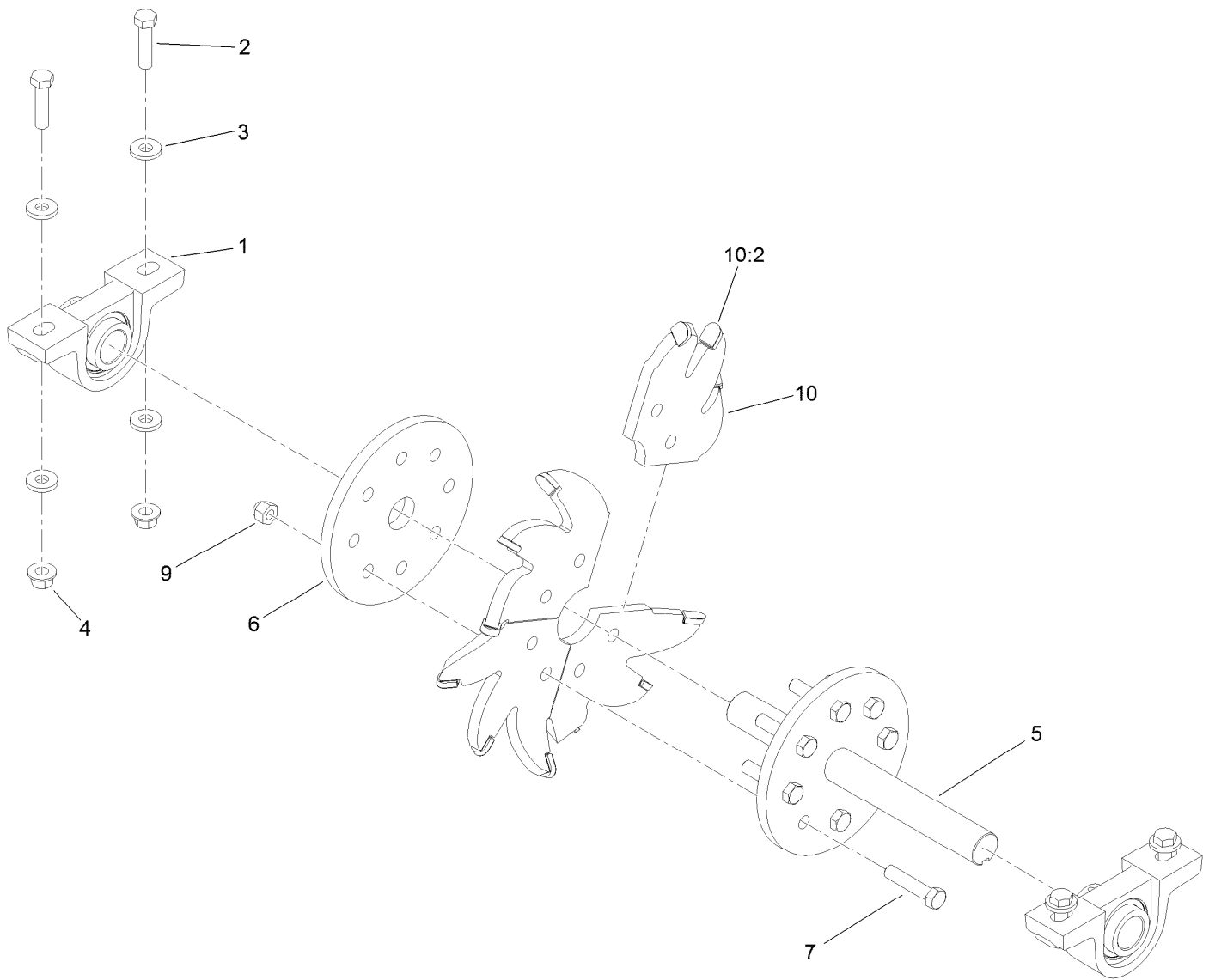
## Handle Assembly

Ref.	Part Number	Qty.	Description	Ref.	Part Number	Qty.	Description
1	121-4391	1	Handle ASM	23	1-808265	1	Pin-Clevis
1:2	119-4701	1	Decal-Warning	24	3272-1	1	Pin-Cotter
2	119-4711-01	1	Safety Handle ASM	25	324-6	4	Screw-HH
3	3296-29	2	Nut-Lock, NI	26	3256-4	8	Washer-Flat
4	322-12	2	Screw-HH	27	3296-48	4	Nut-Lock, NI
5	120-1291	1	Spring-Return	29	120-1248	1	Gasket-Handle
6	120-1803	1	Switch-Plunger, No (W/Cover)	30	120-1333	2	Handle-Grip
7	1-803071	2	Screw	32	119-4721	1	Decal-Engage
8	1-633181	1	Plate-Tapped	33	104-7048	1	Cap-Housing
9	120-1823	1	Harness-Wire	34	104-7050	1	Tube-Manual
10	120-1285	1	Cable-Throttle	35	2412-120	2	Clamp-R
11	3249-3	2	Screw-PRH	36	3269-17	2	Rivet-Pop
12	3296-9	2	Nut-Lock	37	120-1218	1	Hourmeter-Inductive
13	120-1797	1	Lever-Brake Over Center ASM	38	3250-39	2	Screw-PPH
				40	3290-379	2	Tie-Cable



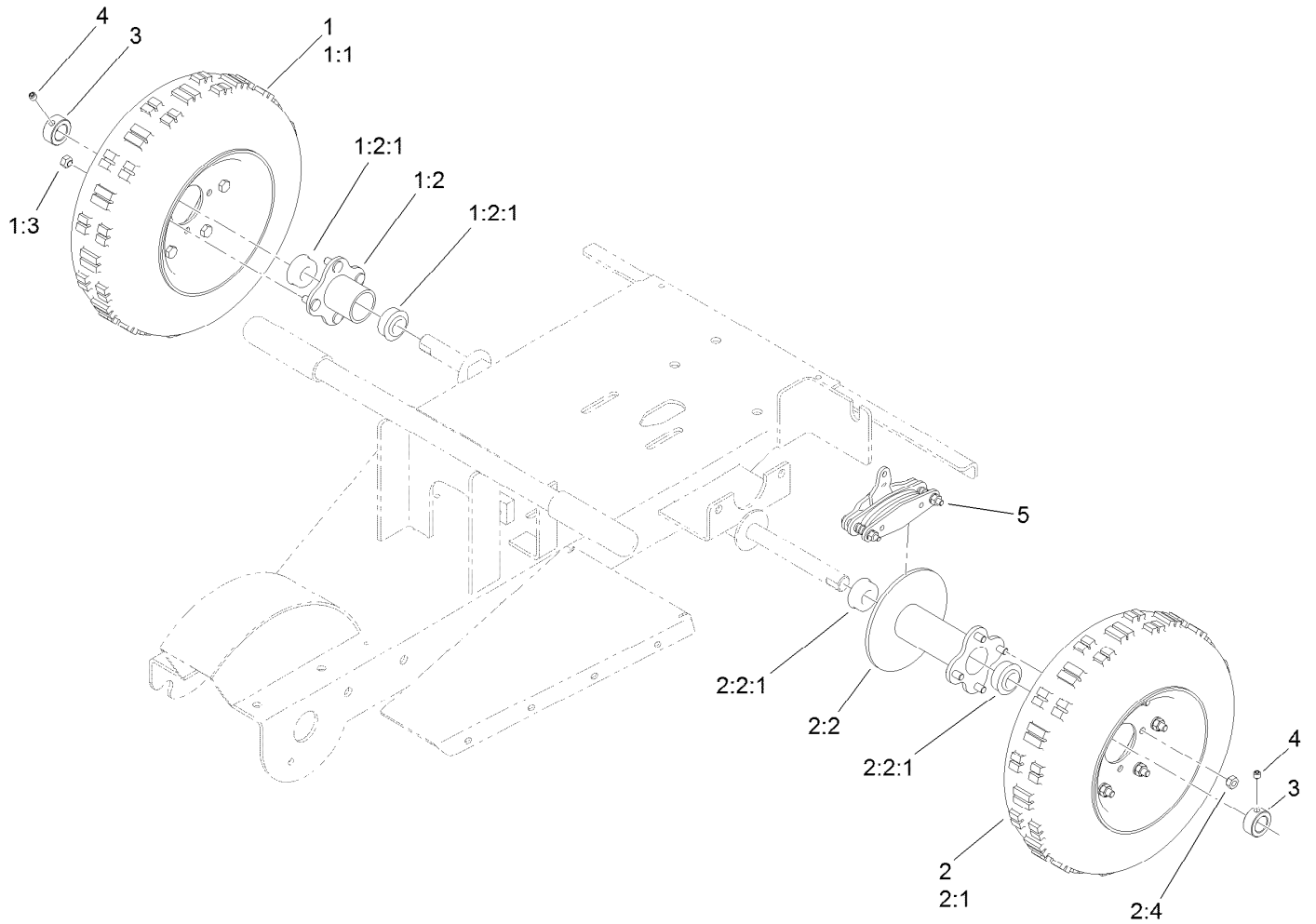
## Brake Lever Assembly No. 120-1797

Ref.	Part Number	Qty.	Description
1	120-1219	1	Lever-Brake
2	120-1286	1	Cable-Brake
3	283-14	1	Pin-Clevis
4	88-7450	1	Spacer-Lever, Control
5	115-0826	1	Spacer-Idler
6	322-13	2	Screw-HH
7	3256-23	1	Washer-Flat
8	3272-6	1	Pin-Cotter
9	3296-29	2	Nut-Lock, NI
10	120-1798	1	Clamp-Conduit



## Cutter Wheel Assembly

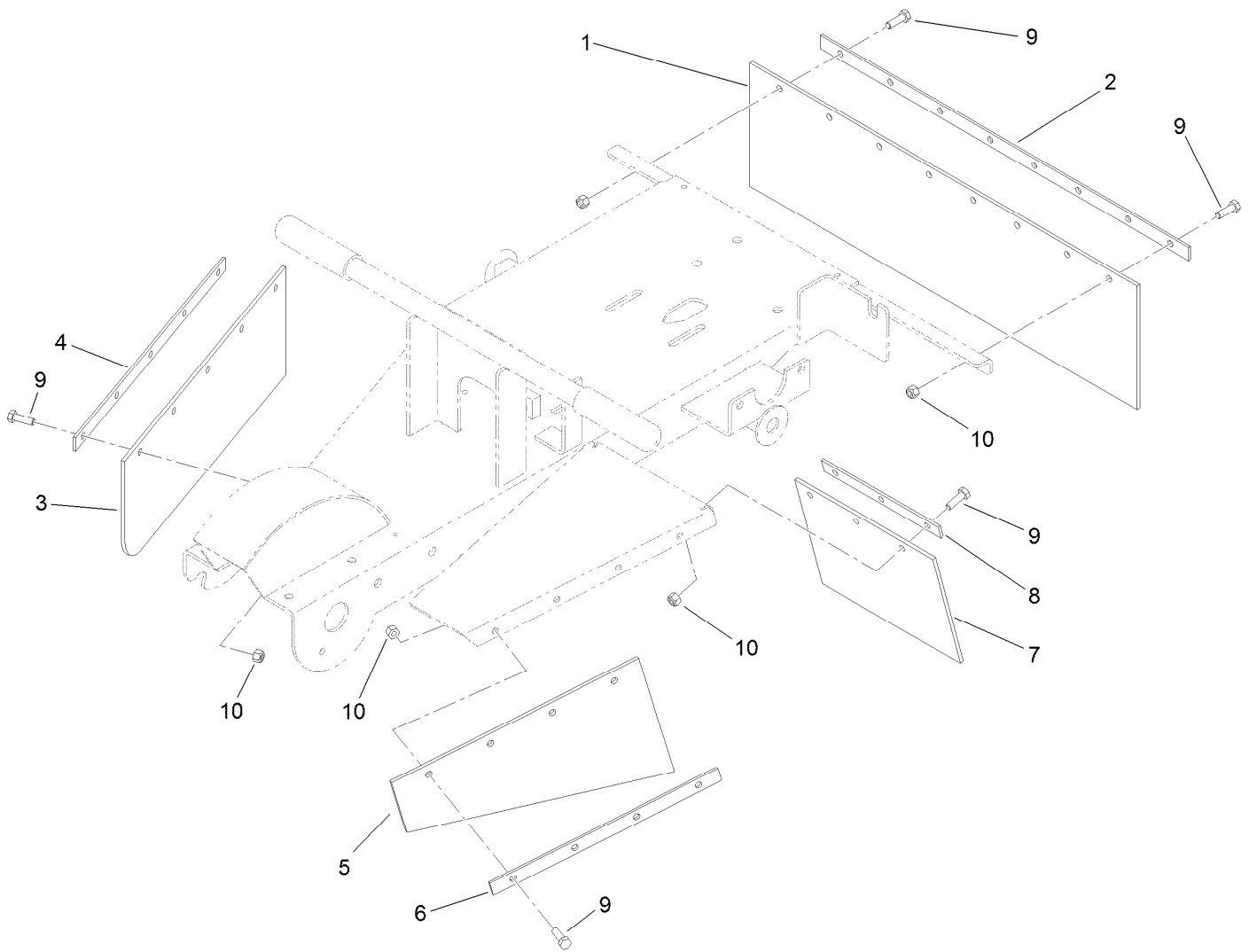
Ref.	Part Number	Qty.	Description
1	120-1211	2	Bearing ASM
2	3211-41	4	Screw-HH
3	71-9310	8	Spacer
4	54-9190	4	Nut-Lock
5	119-4708	1	Blade Shaft ASM
6	119-4710-03	1	Flange-Shaft
7	323-9	8	Screw-HH
9	3296-39	8	Nut-Lock, NI
10	119-4702	4	Blade-Grinder
10:2	119-4705	3	Tip-Carbide



## Wheel and Brake Assembly

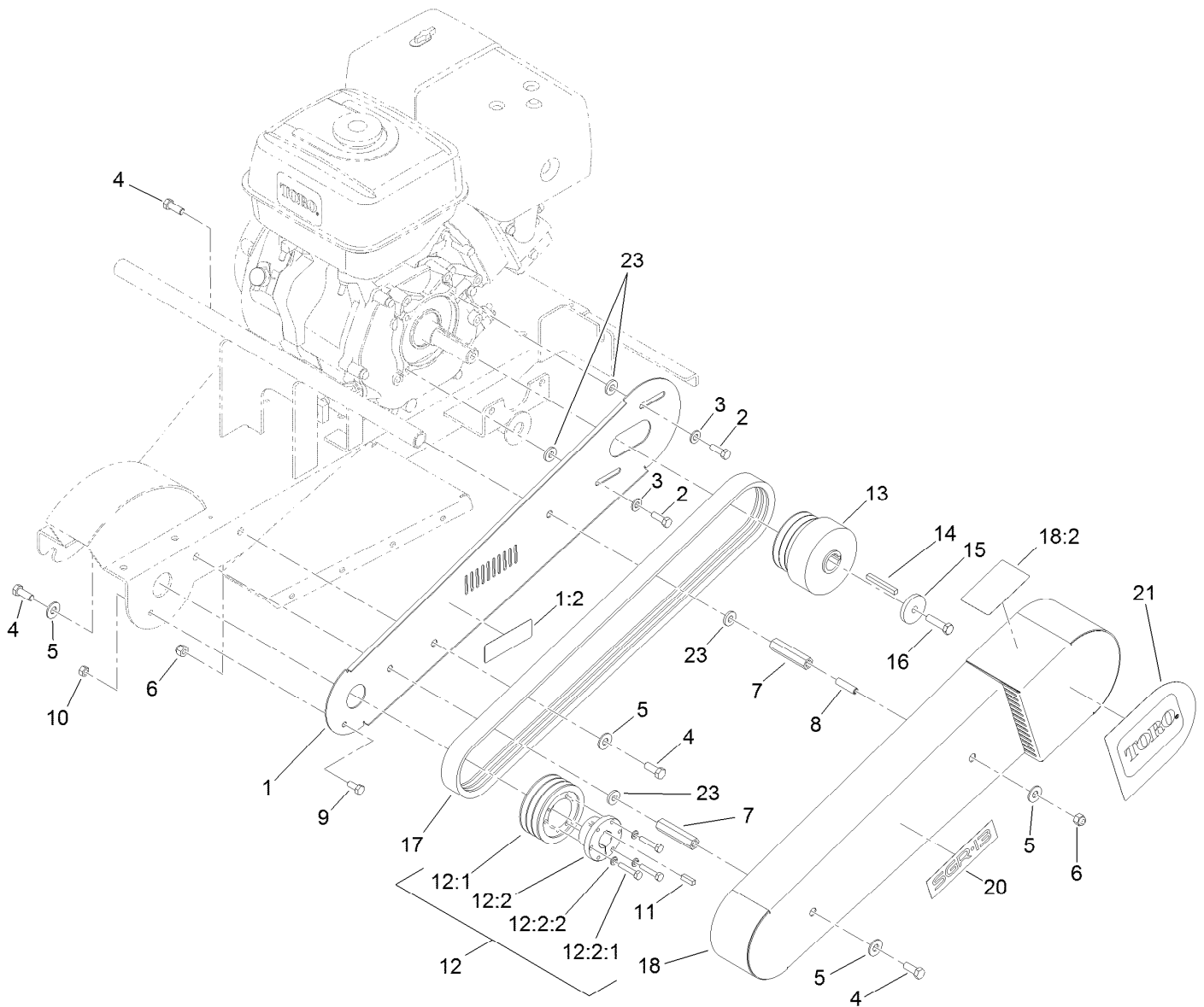
Ref.	Part Number	Qty.	Description
1	120-1216	1	Tire ASM (W/ Hub)
1:1	120-1287	1	Tire ASM
1:2	120-1295	1	Hub
1:2:1	120-1296	2	Bearing-Wheel
1:3	120-1304	4	Nut-Wheel
2	120-1214	1	Tire ASM (W/ Hub And Brake)
2:1	120-1287	1	Tire ASM
2:2	120-1297	1	Hub
2:2:1	120-1296	2	Bearing-Wheel
2:4	120-1304	4	Nut-Wheel
3	120-1294	2	Collar-Set
4	3246-2	2	Screw-Set, HSH
5	120-1773	1	Brake-Caliper





## Flap Assembly

<b>Ref.</b>	<b>Part Number</b>	<b>Qty.</b>	<b>Description</b>
1	120-1236	1	Flap-Rear
2	120-1238-01	1	Plate-Mounting, Flap
3	120-1240	1	Flap-RH
4	120-1241-01	1	Bracket-Support, Flap (RH)
5	120-1242	1	Flap-LH
6	120-1243-01	1	Bracket-Support, Flap (LH)
7	120-1244	1	Flap-Small
8	120-1246-01	1	Bracket-Support, Flap
9	322-5	20	Screw-HH
10	3296-29	20	Nut-Lock, NI



## Belt Drive Assembly

Ref.	Part Number	Qty.	Description	Ref.	Part Number	Qty.	Description
1	121-4413	1	Plate-Guard	12:2	61-3340	1	Bushing
1:2	117-4979	1	Decal-Warning, Shields (Ce)	12:2:1	321-13	3	Screw-HH
2	3210-5	2	Screw-HH	12:2:2	3253-2	3	Washer-Lock
3	3256-38	2	Washer-Flat	13	120-1204	1	Clutch
4	323-6	4	Screw-HH	14	63-8150	1	Key-Square
5	3256-4	4	Washer-Flat	15	110-9981	1	Washer-Plain
6	3296-39	2	Nut-Lock, NI	16	3211-6	1	Screw-HH
7	120-1234	2	Spacer-Guard	17	120-1203	1	Belt-3V
8	3247-8	1	Screw-Set, HSH	18	121-4414	1	Belt Guard ASM
9	322-3	1	Screw-HH	18:2	119-4692	1	Decal-Caution
10	3217-6	1	Nut-Hex	20	120-1816	1	Decal
11	10-7070	1	Key-Square	21	119-4724	1	Decal
12	120-1298	1	Sheave ASM	23	43-0940	4	Spacer
12:1	95-0883	1	Pulley				

# Attachments and Accessories

## For 22611 SGR-13 Stump Grinder

**Product Name**

**Model/Part**

Stump Grinder Blade Tote.....	22607
Blade Tote (Set of 6, Sharpened).....	22607-SH



**Count on it.**